

SunPrimo PM060PW0

Multi-Crystalline Photovoltaic Module



Power Range
250 ~ 270 Wp



Highly Strengthened Design
Module complies with advanced loading tests to meet 5400 Pa loading requirements



Flammability Test
Low ignitability ensuring fire safety



Resistance to Salt Corrosion and Humidity
Module complies with IEC 61701: Salt Mist Corrosion Testing



Ammonia Test
Reliable in ammonia rich environment



SunPrimo PM060PW0 (250 ~ 270 Wp)

Electrical Data

| Typ. Nominal Power P_N | 250 W | 255 W | 260 W | 265 W | 270 W |
|---|---------|-------|-------|-------|-------|
| Typ. Module Efficiency | 15.4% | 15.7% | 16.0% | 16.3% | 16.6% |
| Typ. Nominal Voltage V_{mp} (V) | 30.6 | 30.8 | 31.2 | 31.7 | 30.5 |
| Typ. Nominal Current I_{mp} (A) | 8.17 | 8.28 | 8.34 | 8.36 | 8.86 |
| Typ. Open Circuit Voltage V_{oc} (V) | 37.4 | 37.6 | 37.7 | 37.9 | 38.8 |
| Typ. Short Circuit Current I_{sc} (A) | 8.69 | 8.76 | 8.83 | 8.89 | 9.43 |
| Maximum Tolerance of P_N | 0 / +3% | | | | |

* Above data are the effective measurement at Standard Test Conditions (STC)
 * STC: irradiance 1000 W/m², spectral distribution AM 1.5, temperature 25 ± 2 °C, in accordance with EN 60904-3

Temperature Coefficient

| | |
|--|------------|
| NOCT | 46 ± 2 °C |
| Typ. Temperature Coefficient of P_N | -0.39% / K |
| Typ. Temperature Coefficient of V_{oc} | -0.30% / K |
| Temperature Coefficient of I_{sc} | 0.07% / K |

* NOCT: Normal Operation Cell Temperature, measuring conditions: irradiance 800 W/m², AM 1.5, air temperature 20 °C, wind speed 1 m/s

Mechanical Characteristics

| | |
|-------------------------|--|
| Dimensions (L x W x H) | 1640 x 992 x 40 mm (64.57 x 39.05 x 1.57 in) |
| Weight | 19 kg (41.89 lbs) |
| Front Glass | High transparent solar glass (tempered), 3.2 mm (0.13 in) |
| Cell | 60 multicrystalline solar cells |
| Back Sheet | Composite film |
| Frame | Anodized aluminum frame |
| Junction Box | IP-67 rated with 3 bypass diodes |
| Connector Type & Cables | TE Connectivity PV4: 1 x 4 mm ² (0.04 x 0.16 in ²), Length: each 1.0 m (39.37 in) |

Operating Conditions

| | |
|-------------------------------|---|
| Operating Temperature | -40 ~ +85 °C |
| Ambient Temperature Range | -40 ~ +45 °C |
| Max. System Voltage IEC/UL | 1000 V / 1000 V |
| Serial Fuse Rating | 15 A |
| Maximum Surface Load Capacity | Tested up to 5400 Pa according to IEC 61215 (advanced test) |

Warranties and Certifications

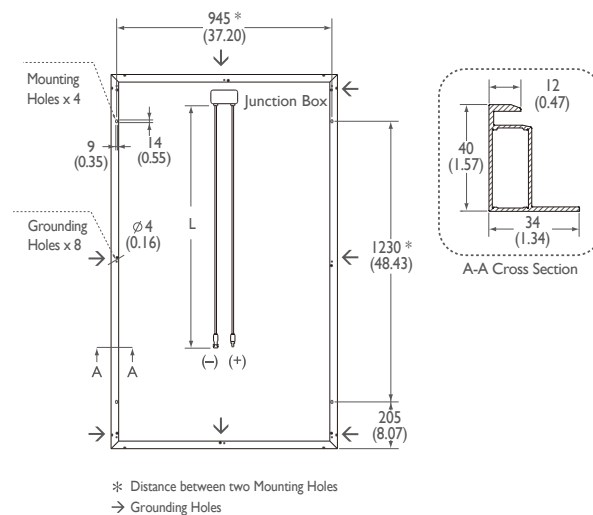
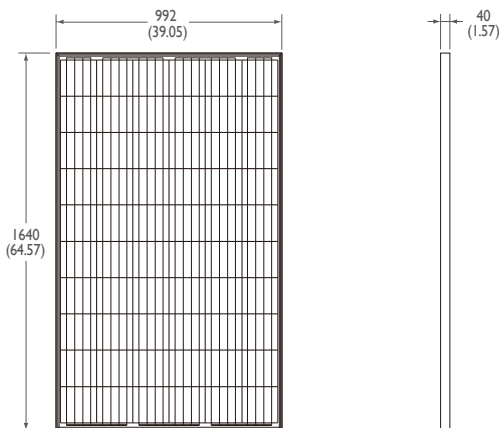
| | |
|-----------------------|---|
| Product Warranty | Maximum 10 years for material and workmanship |
| Performance Guarantee | Guaranteed linear degradation to 80% for 25 years *1 |
| Certifications | According to IEC/EN 61215, IEC/EN 61730 and UL 1703 guidelines *2 |

*1: Please refer to warranty letter for detail
 *2: Please confirm other certifications with official dealers

Packing Configuration

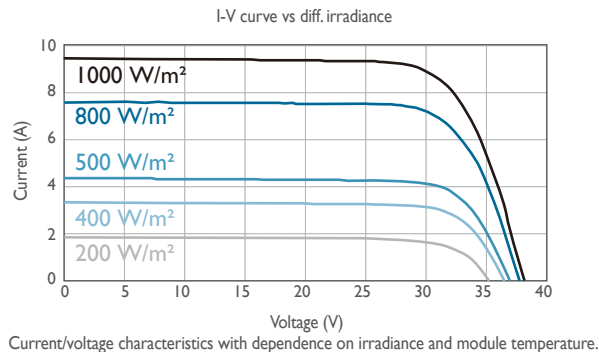
| Container | 20' GP | 40' GP | 40' HQ |
|-----------------------|--------|--------|--------|
| Pieces per Pallet | 26 | 26 | 26 |
| Pallets per Container | 6 | 14 | 28 |
| Pieces per Container | 156 | 364 | 728 |

Dimensions mm (inch)



* Distance between two Mounting Holes
 → Grounding Holes

I-V Curve



About AU Optronics

AU Optronics (AUO) is a leading global manufacturer of TFT-LCD committed to providing green solutions to its worldwide customers in a manner that is sustainable and friendly to the environment. In addition to its strengths in product and technological innovation, AUO stresses its commitment to going green and to utilizing manufacturing excellence to develop high efficiency solar solutions for residential, commercial, and utility segments.



AU Optronics Corporation
 No. 1, Li-Hsin Rd. 2, Hsinchu Science Park, Hsinchu 30078, Taiwan
 Tel: +886-3-500-8899 solar.AUO.com

© Copyright June 2016 AU Optronics Corp. All rights reserved. Information may change without notice. This datasheet is printed with Soy Ink.